

DESCRIPTION

Thank you for purchasing the FSXS2 SEAMER from Malco. The FSXS2 SEAMER may be used by professionals to mechanically seam 2" vertical standing seam panels. Keep reading to learn more about how to setup and use the FSXS2 SEAMER.

SPECIFICATIONS

PROFILE SHAPE/TYPE



*Standard 2" profile (50,8 mm)
*All dimensions are for reference only.

MAX. THICKNESS

- Steel: 22 ga. (0.8 mm)
- Stainless steel: 26 ga. (0.5 mm)
- Aluminum, Copper, Zinc: 20 ga. (0.8 mm)

MAX. SPEED

- 115 ft/min (35 m / min)

DEVICE WEIGHT

- 13 lbs. (6.0 kg)

DRILL/DRIVER REQUIREMENTS

MAX. TORQUE

- 1325 in./lb.

RECOMMENDED TORQUE

- 975 in./lb.

MIN. TORQUE

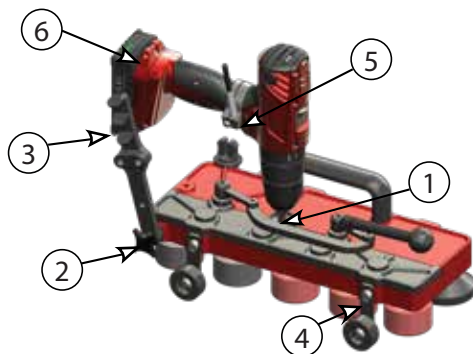
- 535 in./lb. for soft roof material

! Do not use impact driver or hammer drill in hammer mode while operating this tool.

SET UP

! Always remove drill power source when setting up the Malco FSXS2 SEAMER for your own safety!

1. Install drive shaft into drill chuck. Tighten the chuck. If using a keyless chuck we recommend tightening fully by hand then rotating the chuck back to lock the chuck if equipped.
2. Adjust and tighten the support bar.
3. Stretch the bungee cord around the drills battery accordingly.
4. Adjust wheels to proper height using the included 5mm hex key.
5. Fasten the remote drill trigger, confirm the trigger does not engage the drill trigger w/o the remote trigger being depressed.
6. Set drill to drill mode, set drill speed to 1 (lowest RPM), then verify the drill is spinning clock wise, this will ensure the seamer moves in a forward direction.
7. Confirm that the adjustments are correctly set for your application prior to operation.



Tool free assembly



Quick attach drill support

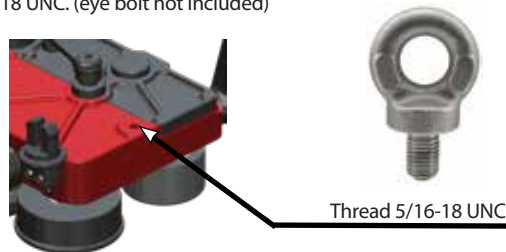


Adjustable height

! All 4 wheels must be at the same height!

SAFETY LANYARD HOOK UP

FSXS2 SEAMER is equipped with safety lanyard hook up point using 5/16-18 UNC thread. Recommended to use certified eye bolt with 5/8" long thread 5/16-18 UNC. (eye bolt not included)



! Make sure the FSXS2 SEAMER is secured against falling off the roof at any time.

2 STAGE SEAMING

With your FSXS2 SEAMER you are able to seam 2 stage mechanically seamed panels in one pass.



SEAMING PRESSURE ADJUSTMENT

Adjusting the seaming pressure knobs will increase or decrease how tight the seam is crimped. Always start by adjusting both knobs equally and then fine tune each station separately as needed. Rotate both knobs clockwise to increase the pressure, or counter clockwise to decrease the pressure.



Rotate

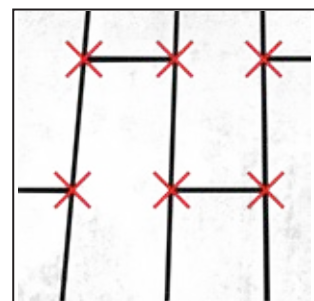
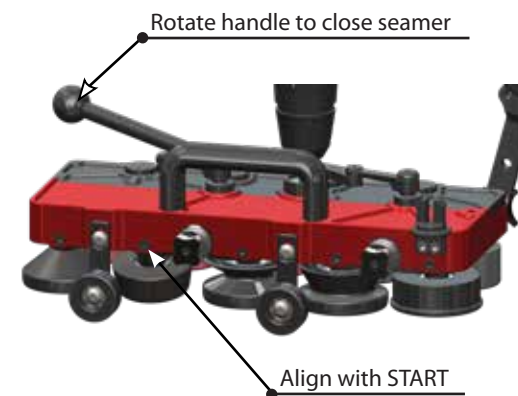
Rotate

! Start by adjusting both knobs equally and fine tune individually as needed.

OPERATION

! Check whether material thickness and roof profile dimensions are within allowable range specified in these instructions. Set drill to drill mode, set drill speed to 1 (lowest RPM), then verify the drill is spinning clockwise, this will ensure the seamer moves in a forward direction.

1. Place the FSXS2 SEAMER on the seam so that the beginning of the sheet metal profile is in line with the middle of second roller ("START" mark on the tool).
2. Close the FSXS2 SEAMER by rotating the handle and close the profile.



! WARNING! !

Do not seam roofs with overlapping roofing panels. Overlapping seams with multiple layers of material may damage the tool due to the increased material thickness.

PRODUCT VIDEO



TROUBLESHOOTING GUIDE



MALCO ROOFING ESSENTIALS



Cutters



Modular Benders



2 Station Benders



Disc Benders

REMOTE TRIGGER

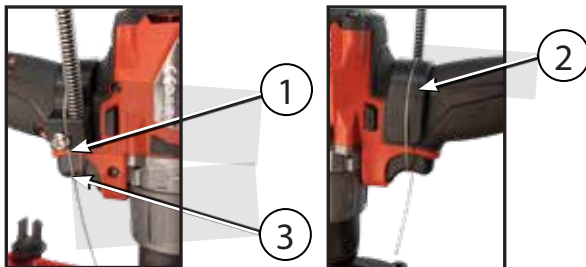
- Malco's exclusively designed handle for ergonomic working position can be attached to the FSXS2 SEAMER.
- Remote Trigger attachment is ideal for continuous operation and improves speed and performance for the FSXS2 SEAMER.
- Self-adjusts to various lengths and ensures excellent reaching range.



Unique remote trigger holder is attached to the FSXS2 SEAMER to make tool carrying compact.

HANDLE SET UP

1. Use 4 mm hex key to loosen bolt and release wire.
2. Put clamp on the drill near the pushbutton.
3. Wrap the cable around the drill and secure the cable with bolt.



! Do not fold, cut, untie, or stretch the wire. It can damage the handle attachment.

STORING SEAMER

Military grade case with specially designed foam protects your tools from harsh conditions.

1. Always clean your tools before placing into the case. Make sure they are dry. Use microfiber cloth provided for cleaning the tool.
2. Put FSXS2 SEAMER into the case in the OPEN position.
3. Carefully read all safety information before operating the FSXS2 SEAMER and save them for the future reference.



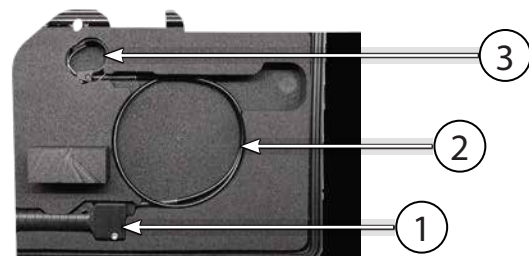
IP67 RATING

MIL SPECS DEF STAN 81-41
STANAG 4280

STORING REMOTE TRIGGER

Always remove remote trigger attachment after work is complete and store it in the case when not in use.

1. Put handle into the foam.
2. Twist the rubbered rope into the foam.
3. Place clamp into the foam, wrap and tighten the wire.



! Make sure the wire is secured properly to avoid scratching the SEAMER or damaging the foam.

SAFETY INFORMATION

- Designed for use on Ferrous and non Ferrous metals only. Malco Tools, Inc. takes no responsibility for the safety of the tool if it is used in any way other than the intended purpose as specified in the operating instructions.
- Only use cordless drills that meet the manufacturer requirements.
- Visually inspect components before installing on drill. Do not use if cracked or broken.
- Be aware of rotating parts. Keep hands, fingers, hair, clothes, and other tools at a safe distance. Do not wear loose clothing or jewelry. Keep your hair, clothing, and gloves away from moving parts because they can be caught in moving parts.
- Avoid seaming point. Never place your hands and fingers between rolls.
- Make sure lighting is sufficient.
- Do not over-reach to perform seaming operation. Always use roof lifeline and follow all safety regulations.
- Do not leave FSXS2 unattended on roof.
- Do not operate tool when you are tired or under the influence of drugs, alcohol, or medication. A moment of inattention while operating may result in serious personal injury.
- Do not push the seamer forward. If the FSXS2 SEAMER becomes jammed, open the tool, and look for purpose – check material thickness and profile shape/type.
- Keep any power cables away from the seaming path.
- Keep away from children.
- Always wear goggles or safety glasses.
- Always wear protective gloves when operating and performing maintenance.
- Use hearing protection when operating.
- Do not let familiarity with product replace strict adherence to safety rules. Misuse may cause serious personal injury.
- It is strictly forbidden to install, dismantle, replace, and modify components, parts and equipment not provided for in this manual without written agreement from the manufacturer.

CARE AND MAINTENANCE

- Always remove power source before practicing any care or maintenance tasks.
- Store in the case in the open position when tool is not in use. Clean and dry tool after the work is complete.
- Check the FSXS2 SEAMER for externally visible damage and defects before starting work. Notify and eliminate any changes that affect the safety.
- Do not expose tool to extreme temperatures (below 0 degrees) and weather conditions – do not use tool under wet and moist conditions.
- Always clean dirt, dust, and sand from the rollers, axles and other parts.
- The tool has wear components such as rollers, bungee etc. that will require replacement parts.
- It is strictly forbidden to put wet or damp FSXS2 SEAMER into case. Always clean your tool after work to prevent from rusting and scratching material.
- It is strictly forbidden to use the remote trigger for any other purpose than operating Malco FSXS2 SEAMER.



DO NOT use case for any other purposes than caring and storing only Malco SEAMER FSXS2. Do not put other tools such as snips, pliers etc. in the case!

WARRANTY

- Malco Tools, Inc. warrants to the original customer/consumer that its products will be free from manufacturing defects in materials or workmanship when subject to normal and proper use.
- Should any such defect occur following original purchase, Malco Tools, Inc. will repair or replace, at its discretion, the defective product.
- Malco Tools, Inc. shall not be liable or responsible for labor charges or other expenses whatsoever in connection with removal or installation of either the original or replacement product. In the event of repair or replacement under the terms of this warranty, the original warranty shall apply to the repaired or replacement product.
- See full terms and conditions on our website.

MALCO FSXS2 SEAMER



Malco